

## Mink MM 1104 – 1322 AV



MM 1142 AV

### Description

The Busch MM Series positive displacement vacuum pumps feature a compact rotary claw design that is air cooled, dry-running and non-contacting. These features along with quality construction results in a pump that offers extremely high reliability and a long service life.

### Ultra Low Maintenance

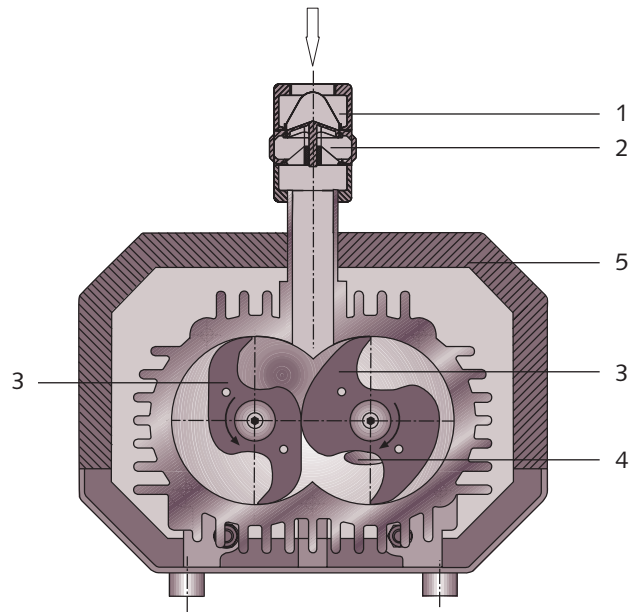
Non-contacting design – eliminates internal wear and parts to replace  
Air cooling – no water levels to check and no cooling system to maintain  
Dry running – no sealing or lubricating oil is needed in the pumping chamber, so there is minimal maintenance.

### Economical

Operating costs are low because of the maintenance-free design and the reduced power requirements made possible by the Mink MM's high volumetric efficiency along with a zero-friction pumping chamber.

# Dry Rotary Claw Vacuum Pumps

## Operating Principle



- 1 Gas Inlet
- 2 Non-return valve
- 3 Claw-type rotor
- 4 Gas outlet
- 5 Acoustic enclosure

## Operating Principle

Inside the pump housing, two claw shaped rotors take in air as they rotate in opposite directions. The air is compressed by the rotors, then discharged through a silencer to atmosphere.

The non-return valve incorporated into the inlet flange prevents air from back flowing into the vacuum chamber when the pump is turned off.

Mink MM rotary claw vacuum pumps are directly driven by a flanged motor, and the two rotors are synchronized by gears.

A wide range of accessories allows optimum adaptation to many applications.

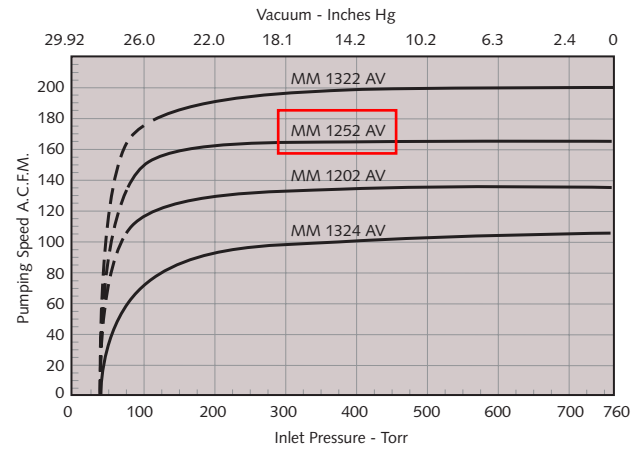
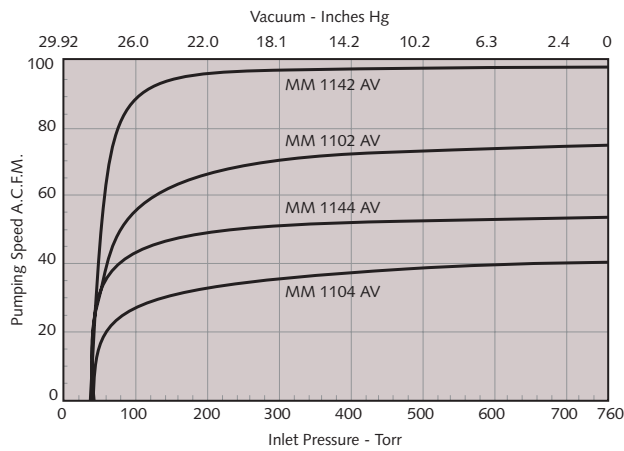
## Applications

Beverage Industry  
Central Vacuum Systems  
Ceramics and Brick Industry  
Environmental Technology  
Food Industry  
Medical Technology  
Packaging Industry  
Paper Industry  
Plastics Industry

Pneumatic Conveying  
Printing Industry  
Textile Industry  
Transport and Lifting Systems  
Vacuum Sewerage  
Wood Industry  
Hospitals  
Any application where dust particles may be present



## Technical Data



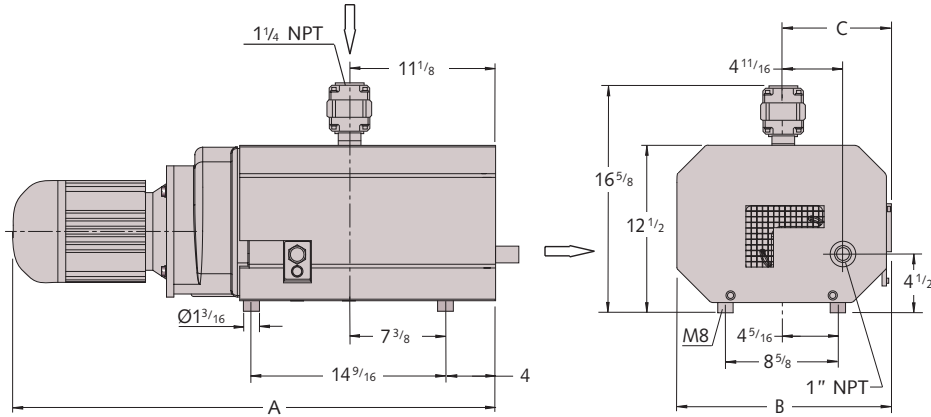
Intermittent duty in dashed area only. Vacuum relief valve to maintain maximum continuous pressure included as a standard feature.

Technical Data									
Mink MM Model		1104 AV	1144 AV	1102 AV	1142 AV	1324 AV	1202 AV	1252 AV	1322 AV
Nominal pumping speed	ACFM	40	53	74	97	106	135	165	200
Free air displacement	CFM	43	58	86	116	109	142	177	218
Ultimate pressure continuous duty	Torr ("Hg)	37.5 (28.4)	37.5 (28.4)	37.5 (28.4)	37.5 (28.4)	37.5 (28.4)	75 (27)	75 (27)	112.5 (25.5)
Ultimate pressure intermittent duty	Torr ("Hg)	N/A	N/A	N/A	N/A	N/A	37.5 (28.4)	37.5 (28.4)	37.5 (28.4)
Motor size	kW(HP)	1.5 (2.0)	2.2 (3.0)	3.0 (4.0)	4.0 (5.4)	3.6 (4.8)	4.8 (6.4)	5.5 (7.4)	6.5 (8.7)
Nominal motor speed	RPM	1800	1800	3600	3600	1800	3600	3600	3600
Sound level rating	dB(A)	75	75	80	80	74	79	79	82
Approximate weight	Lbs.	320	330	330	352	513	519	528	532

# Dry Rotary Claw Vacuum Pumps

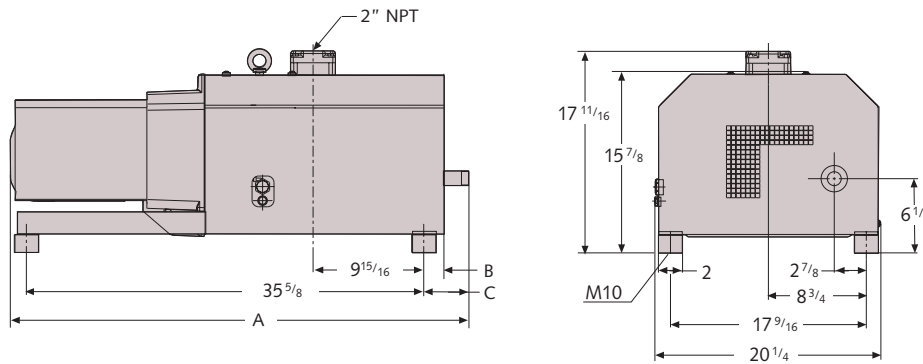


## Dimensions



Dimensions	A	B	C
MM 1104 AV	36 <sup>7</sup> / <sub>8</sub>	17	8 <sup>9</sup> / <sub>16</sub>
MM 1144 AV	36 <sup>7</sup> / <sub>8</sub>	17	8 <sup>9</sup> / <sub>16</sub>

Dimensions	A	B	C
MM 1102 AV	36 <sup>7</sup> / <sub>8</sub>	17	8 <sup>9</sup> / <sub>16</sub>
MM 1142 AV	37 <sup>5</sup> / <sub>8</sub>	17 <sup>3</sup> / <sub>8</sub>	9



Dimensions	A	B	C
MM 1324 AV	42 <sup>3</sup> / <sub>8</sub>	1 <sup>13</sup> / <sub>16</sub>	4 <sup>1</sup> / <sub>16</sub>
MM 1202 AV	42 <sup>1</sup> / <sub>2</sub>	1 <sup>13</sup> / <sub>16</sub>	3 <sup>1</sup> / <sub>8</sub>

Dimensions	A	B	C
MM 1252 AV	42 <sup>15</sup> / <sub>16</sub>	1 <sup>13</sup> / <sub>16</sub>	3 <sup>1</sup> / <sub>2</sub>
MM 1322 AV	44 <sup>1</sup> / <sub>4</sub>	3 <sup>1</sup> / <sub>8</sub>	4 <sup>13</sup> / <sub>16</sub>

All dimensions in inches unless otherwise noted.



**Busch - all over the world in industry**

**ISO 9001 Registered Company**

**Busch, Inc.**

**516 Viking Drive Virginia Beach, VA 23452**

**Phone (757) 463-7800 Fax (757) 463-7407**

**www.buschpump.com**

**1-800-USA-PUMP**

Amsterdam Barcelona Birmingham Basel Brussels Dublin Göteborg Helsinki Istanbul Copenhagen Kuala Lumpur Milan Maulburg Melbourne Montreal Moscow  
New York New Plymouth Oslo Paris San Jose São Paulo Seoul Singapore Taipei Tokyo Vienna